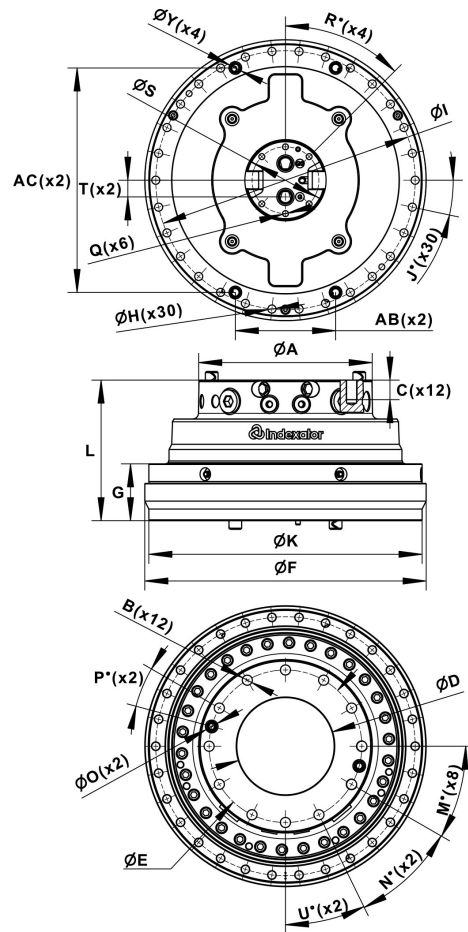
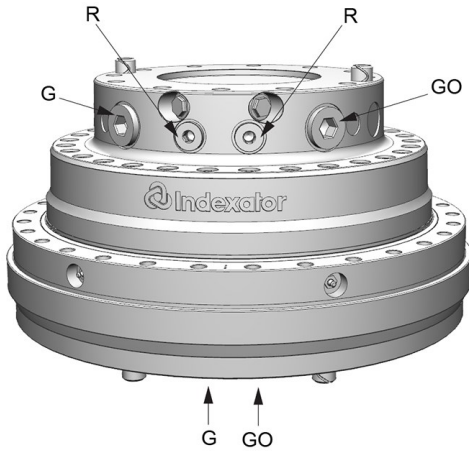


XR 400

Part No.: 8400003



Upper	
G GO:	R:
G 1	G 1/2

A: Ø300 mm	AB: 174 mm	AC: 390 mm	B: M20	C: 34 mm	D: Ø170 mm	E: Ø265 mm	F: Ø488 mm	G: 99 mm	H: Ø14 mm	I: Ø450 mm	J: 12°	K: Ø474 mm	L: 244 mm
M: 30°	N: 34°	O: Ø22 mm	P: 15°	Q: M12	R: 45°	S: Ø116 mm	T: 29 mm	U: 26°	Y: Ø22 mm				

185 kg	360°	±550 kN ¹	±200 kN	±140 kN	±47 kNm ²	4100 Nm	35 l/min	25 MPa	40 MPa	40 MPa	40 MPa

¹ Max axial load static indicate theoretical max load for hanging applications without accelerations.

² The torque load may not be combined with axial load.

Pressure limiting valves fitted in the motor.

Can be supplemented with hose guard.

Oil distributor ordered separately.

We reserve the right to make product changes. For further technical information relating to integration and hydraulic connections, please contact rotator@indexator.com